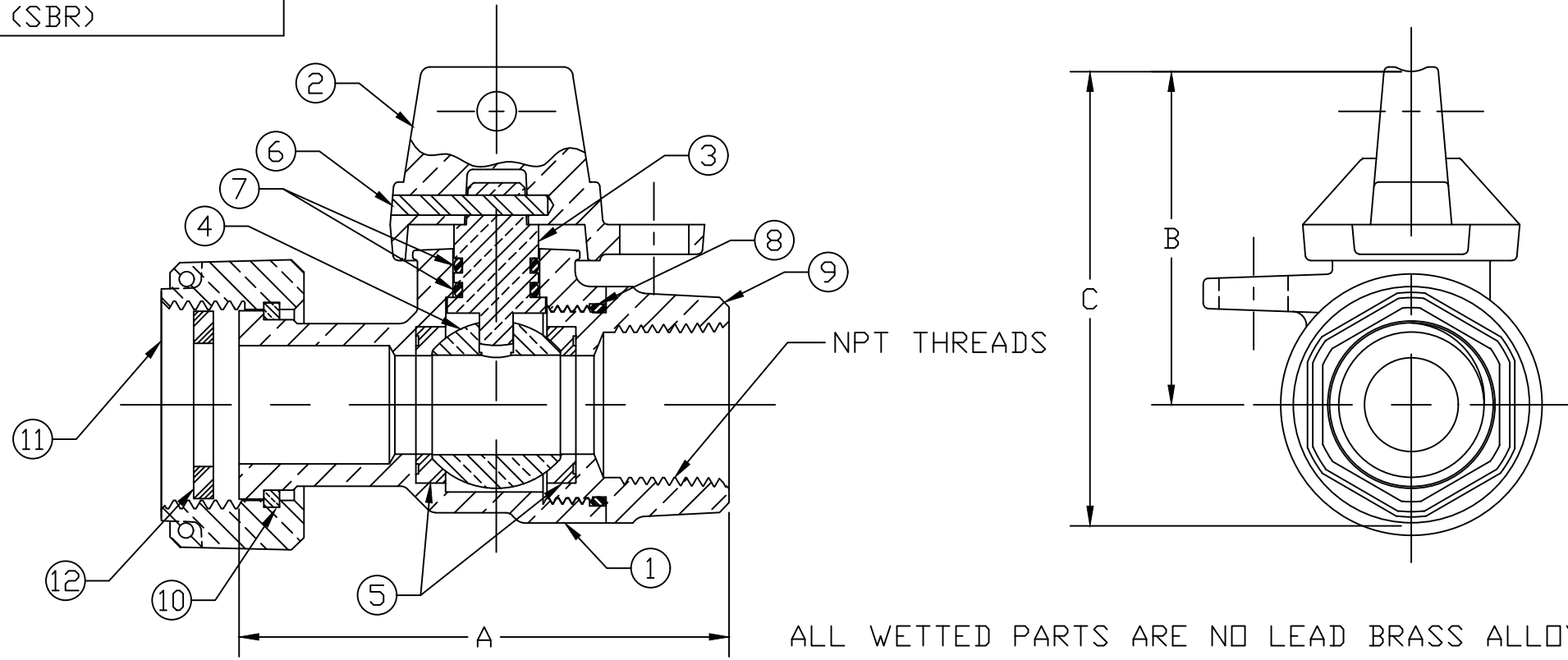


SIZE	A	B	C	NPT THRD
5/8x3/4x1	3.44	2.31	3.15	1"
3/4	3.21	2.31	3.15	3/4"
1	4.17	2.62	3.78	1"

ITEM	DESCRIPTION	MATERIAL DESCRIPTION
1	BODY	CAST NO LEAD BRASS ALLOY
2	CAP	CAST BRASS ASTM B62 ALLOY C83600
3	STEM	NO LEAD BRASS ALLOY
4	BALL	NO LEAD BRASS ALLOY
5	GASKET	EPDM ASTM D2000
6	SPIROL PIN	AISI 303 STAINLESS STEEL
7	O-RING	EPDM ASTM D2000
8	O-RING	EPDM ASTM D2000
9	END PIECE	CAST NO LEAD BRASS ALLOY
10	SNAP RING	COPPER ALLOY WIRE CDA 521
11	SADDLE NUT	CAST BRASS ASTM B62 ALLOY C83600
12	RUBBER GSKT	ASTM D2000 (SBR)



FILEPATH: PROD-ENG\JJ\ASYSUBMITTALS\E1903W

DWG NUMBER
E1903W

TITLE TO AND OWNERSHIP OF THIS ENGINEERING DATA REMAINS IN Mueller Co. NO USE IS TO BE MADE OF THIS DATA EXCEPT AS SPECIFICALLY AUTHORIZED BY Mueller Co. ASSENT ON THE PART OF THE RECIPIENT TO THESE CONDITIONS IS PRESUMED

DRFTR	JGarvin	3/31/10	JONES		
CHKR					
ENGR					
MGR					
UNLESS OTHERWISE NOTED			THIRD ANGLE PROJECTION		
SURFACE PREPARATION:			REF. No. SCALE		
BREAK CORNER(S) ---- .000					
SURFACE FINISH -- XX RMS			NONE		
TOLERANCE(S):					
LINEAR ----- ± .000					
ANGULAR ----- ± 0°00'					
BY DATE					
STK No:					
MAT'L:					
DESCR.			DWG NUMBER		
BALL STRAIGHT NLB METER VALVE (FIP x MTR)			E1903W		
REV	ECR	DESCRIPTION	DATE	BY	CHKR