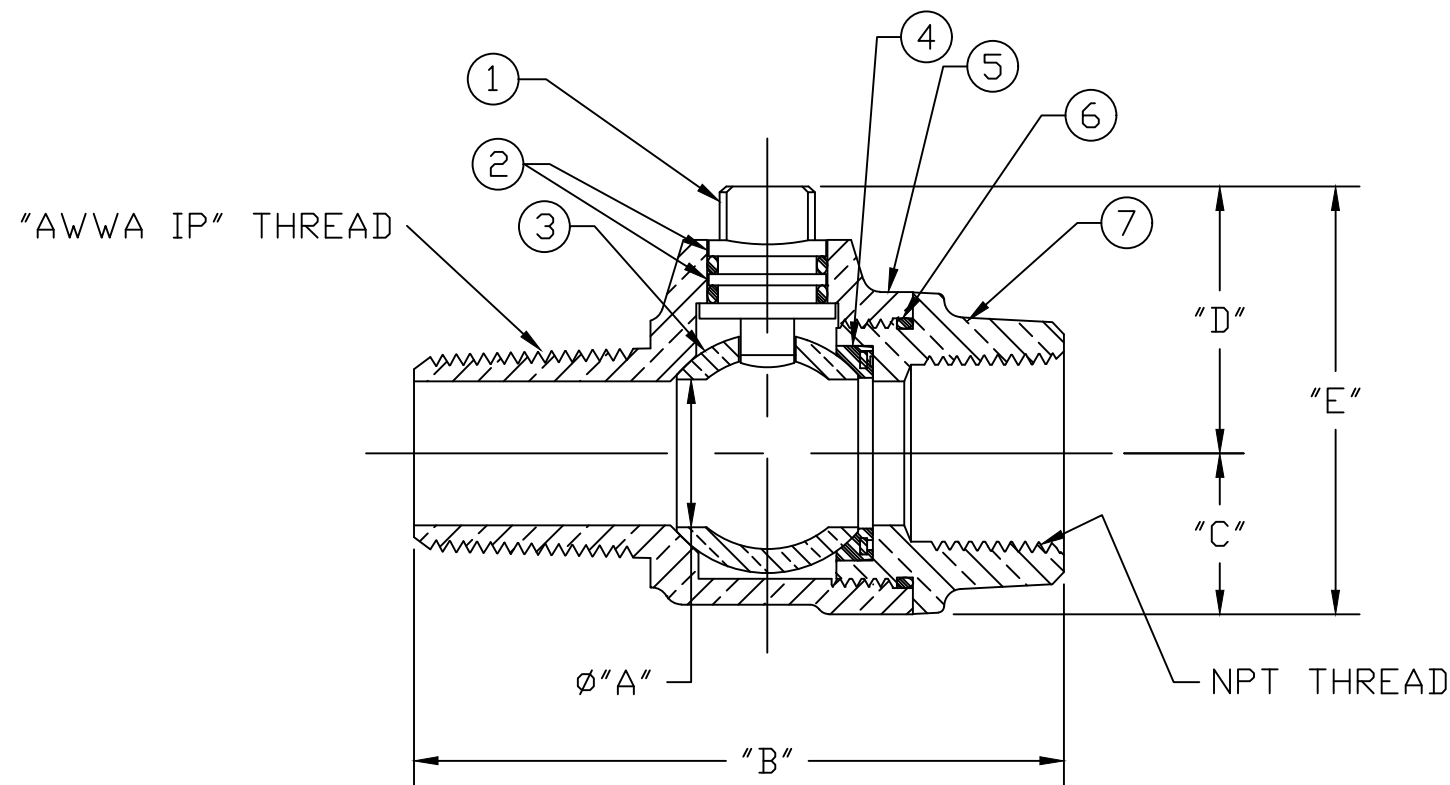


No.	DESCRIPTION	MATERIAL
1	STEM	LEAD FREE BRASS ALLOY ASTM B584/B371
2	O-RING	EPDM D2000
3	BALL	LEAD FREE BRASS ALLOY ASTM B584
4	GASKET - SEAL	EPDM D2000
5	BODY	LEAD FREE BRASS ALLOY ASTM B584
6	O-RING	EPDM D2000
7	END PIECE	LEAD FREE BRASS ALLOY ASTM B584



SIZE	ØA	B	C	D	E
3/4	.75	3.38	.84	1.36	2.20
3/4x1	.75	3.62	.84	1.39	2.23
1	1.00	4.11	1.15	1.56	2.71
1-1/2	1.50	4.78	1.50	2.12	3.62
2	2.00	5.33	1.82	2.44	4.26

MEETS ALL REQUIREMENTS OF AWWA C800
 ALL STEMS ARE LEAD FREE BRASS ALLOY C89833/C69300
 ALL WETTED PARTS ARE LEAD FREE BRASS ALLOY C89833/C87850
 ALL NON WETTED PARTS ARE BRASS ALLOY C83600/C87850

DWG NUMBER
E1931

TITLE TO AND OWNERSHIP OF THIS ENGINEERING
 DATA REMAINS IN Mueller Co. NO USE IS TO BE
 MADE OF THIS DATA EXCEPT AS SPECIFICALLY
 AUTHORIZED BY Mueller Co. ASSENT ON THE PART
 OF THE RECIPIENT TO THESE CONDITIONS IS PRESUMED

DRFTR	Garvin	12/14/09	JONES	
CHKR				
ENGR			UNLESS OTHERWISE NOTED SURFACE PREPARATION: BREAK CORNER(S) ---- .000 SURFACE FINISH -- XX RMS	THIRD ANGLE PROJECTION
MGR				REF. No.
	BY	DATE	LINEAR ----- ± .000	
			ANGULAR ----- ± 0°00'	
STK No:				
MAT'L:				
DESCR.	BALL TYPE CORP VALVE (MIP x FIP)			DWG NUMBER E1931