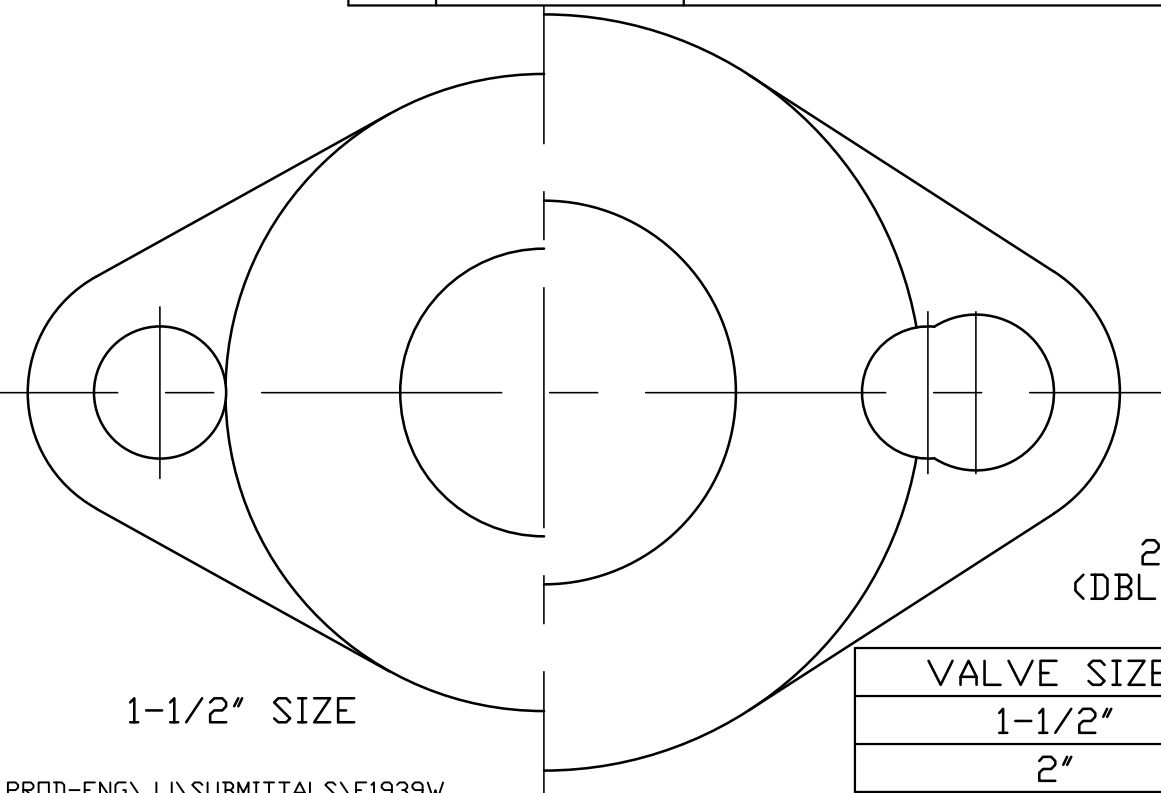
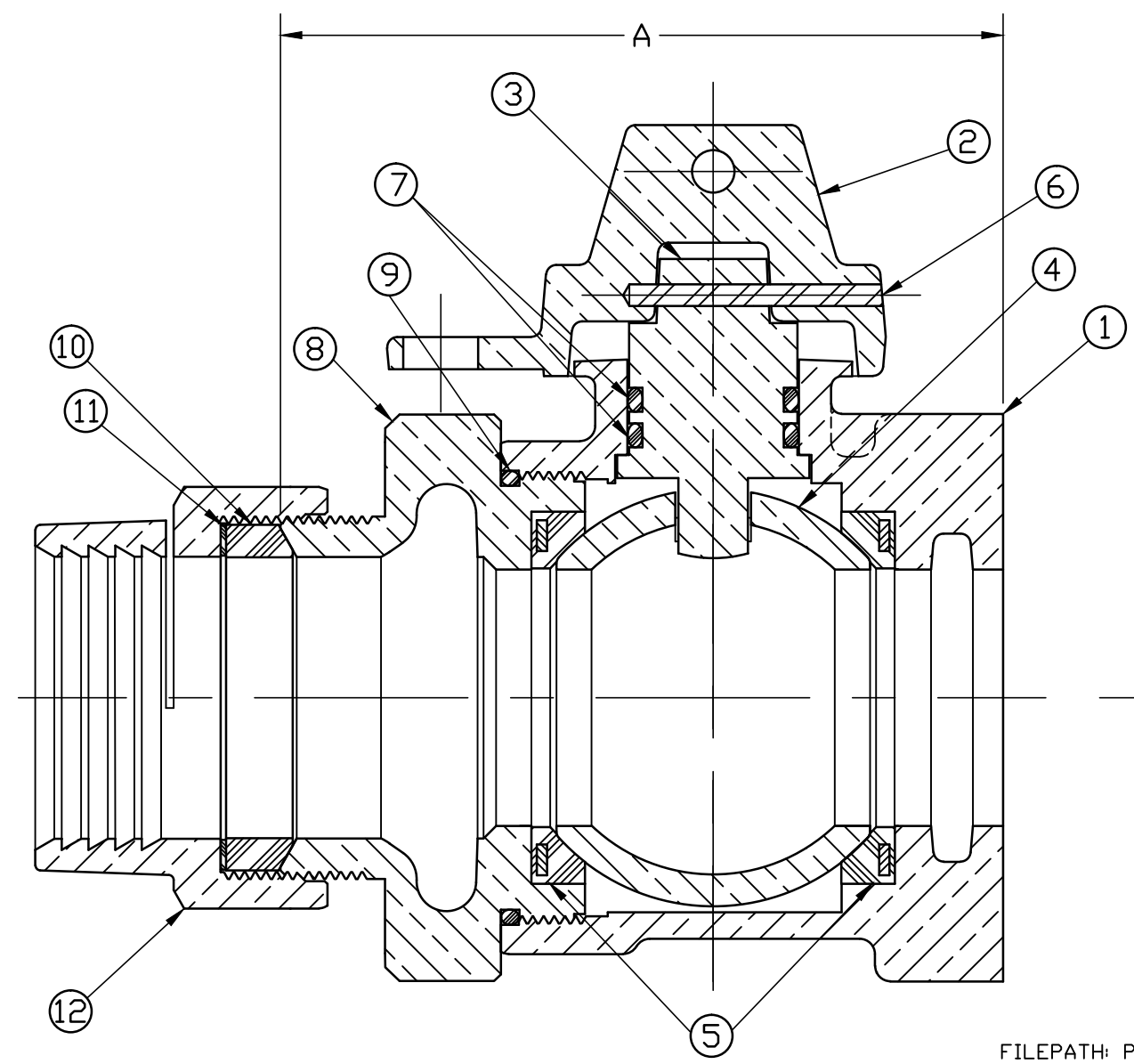


No.	DESCRIPTION	MATERIAL DESCRIPTION
1	BODY	CAST LOW LEAD BRASS ALLOY
2	CAP	CAST BRASS ASTM B62 ALLOY C83600
3	STEM	LOW LEAD BRASS ALLOY
4	BALL	LOW LEAD BRASS ALLOY
5	GASKET	NITRILE ASTM D2000
6	SOLID PIN	AISI 304 ANNEALED STAINLESS STEEL
7	O-RING	EP ASTM D2000
8	END PIECE	CAST LOW LEAD BRASS ALLOY
9	O-RING	EP ASTM D2000
10	PJ GSKT	BUNA-N ASTM D2000
11	PJ WASHER	POLYPROPYLENE
12	CLPG NUT	CAST BRASS ASTM B62 ALLOY C83600



2" SIZE
(DBL DRILLED)

1-1/2" SIZE

VALVE SIZE	A
1-1/2"	4-15/64"
2"	5-41/64"

ALL WETTED PARTS ARE LOW LEAD BRASS ALLOY

FILEPATH: PROD-ENG\JJ\SUBMITTALS\E1939W

DRFTR	JGarvin	9/4/09
CHKR		
ENGR		
MGR		
BY	DATE	
STK No:		
MAT'L:		
DESCR.	BALL STRAIGHT LLB METER VALVE (PJ CTS x METER FLANGE)	
REV	ECR	DESCRIPTION
		DATE
		BY
		CHKR

JONES

UNLESS OTHERWISE NOTED THIRD ANGLE PROJECTION

SURFACE PREPARATION:
 BREAK CORNER(S) ---- .000
 SURFACE FINISH -- XX RMS

TOLERANCE(S):
 LINEAR ----- ± .000
 ANGULAR ----- ± 0°00'

REF. No. SCALE

DWG NUMBER
E1939W
JJ-MRKTNG

TITLE TO AND OWNERSHIP OF THIS ENGINEERING DATA REMAINS IN Mueller Co. NO USE IS TO BE MADE OF THIS DATA EXCEPT AS SPECIFICALLY AUTHORIZED BY Mueller Co. ASSENT ON THE PART OF THE RECIPIENT TO THESE CONDITIONS IS PRESUMED

DWG NUMBER
E1939W