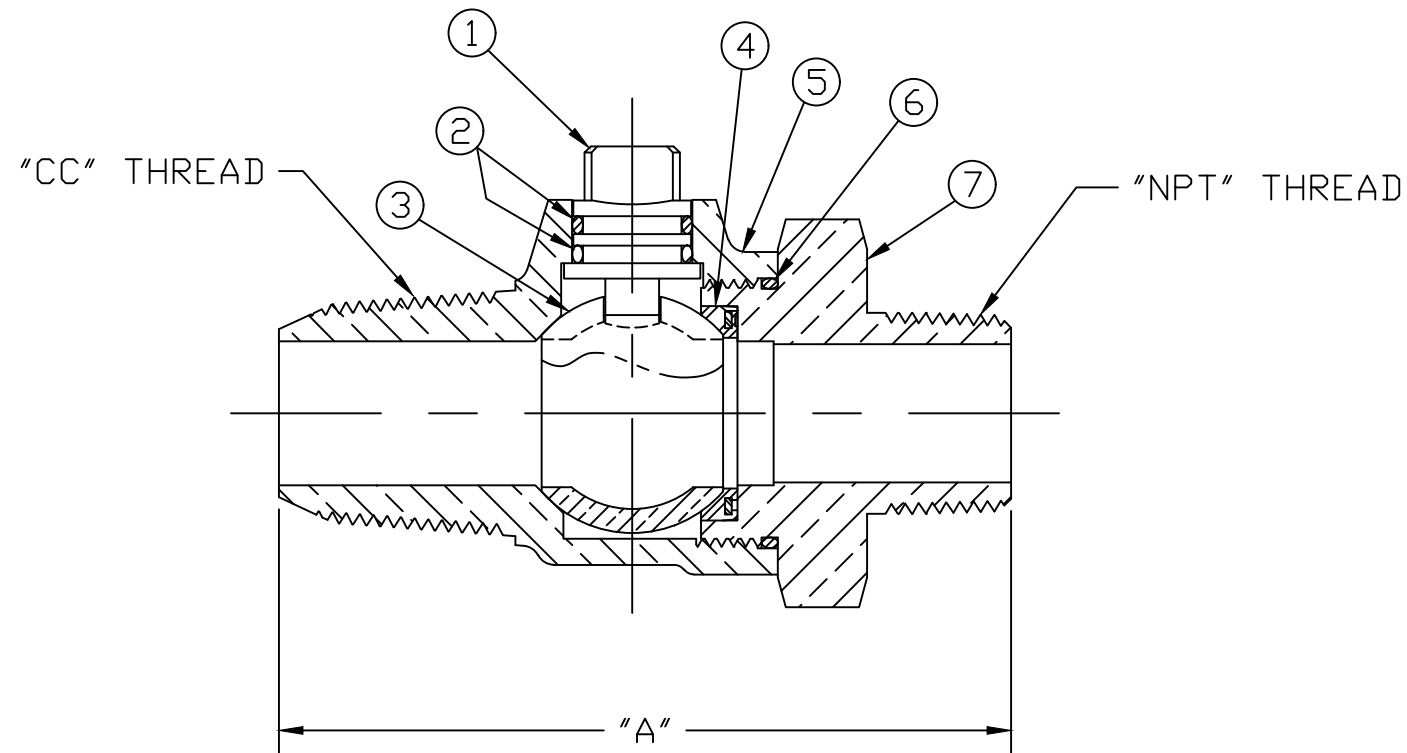


No.	DESCRIPTION	MATERIAL
1	STEM	NO LEAD BRASS ALLOY
2	O-RING	EPDM D2000
3	BALL	NO LEAD BRASS ALLOY
4	GASKET - SEAL	EPDM D2000
5	BODY	CAST NO LEAD BRASS ALLOY
6	O-RING	EPDM D2000
7	END PIECE	CAST NO LEAD BRASS ALLOY



VALVE SIZE	A	NPT SIZE
3/4	3-13/16"	3/4"
1	4-33/64"	1"
1-1/2	5-53/64"	1-1/2"
2	6-13/32"	2"

ALL WETTED PARTS ARE NO LEAD BRASS ALLOY

FILEPATH: PROD-ENG\JAMESJONES\SUBMITTALS\E1944

						DRFTR	RWB	2/4/10	JONES
						CHKR			
						ENGR			
						MGR			
									UNLESS OTHERWISE NOTED
									SURFACE PREPARATION:
									BREAK CORNER(S) ---- .000
									SURFACE FINISH -- XX RMS
									TOLERANCE(S):
									LINEAR ----- ± .000
									ANGULAR ----- ± 0°00'
									THIRD ANGLE PROJECTION
									REF. No.
									SCALE
						STK No:			
						MAT'L:			
						DESCR.	BALL TYPE NLB CORPORATION VALVE (CC THR'D x MIP)		DWG NUMBER E1944
REV	ECR	DESCRIPTION	DATE	BY	CHKR				

DWG NUMBER
E1944
JJ-MRKTG

TITLE TO AND OWNERSHIP OF THIS ENGINEERING DATA REMAINS IN Mueller Co. NO USE IS TO BE MADE OF THIS DATA EXCEPT AS SPECIFICALLY AUTHORIZED BY Mueller Co. ASSENT ON THE PART OF THE RECIPIENT TO THESE CONDITIONS IS PRESUMED