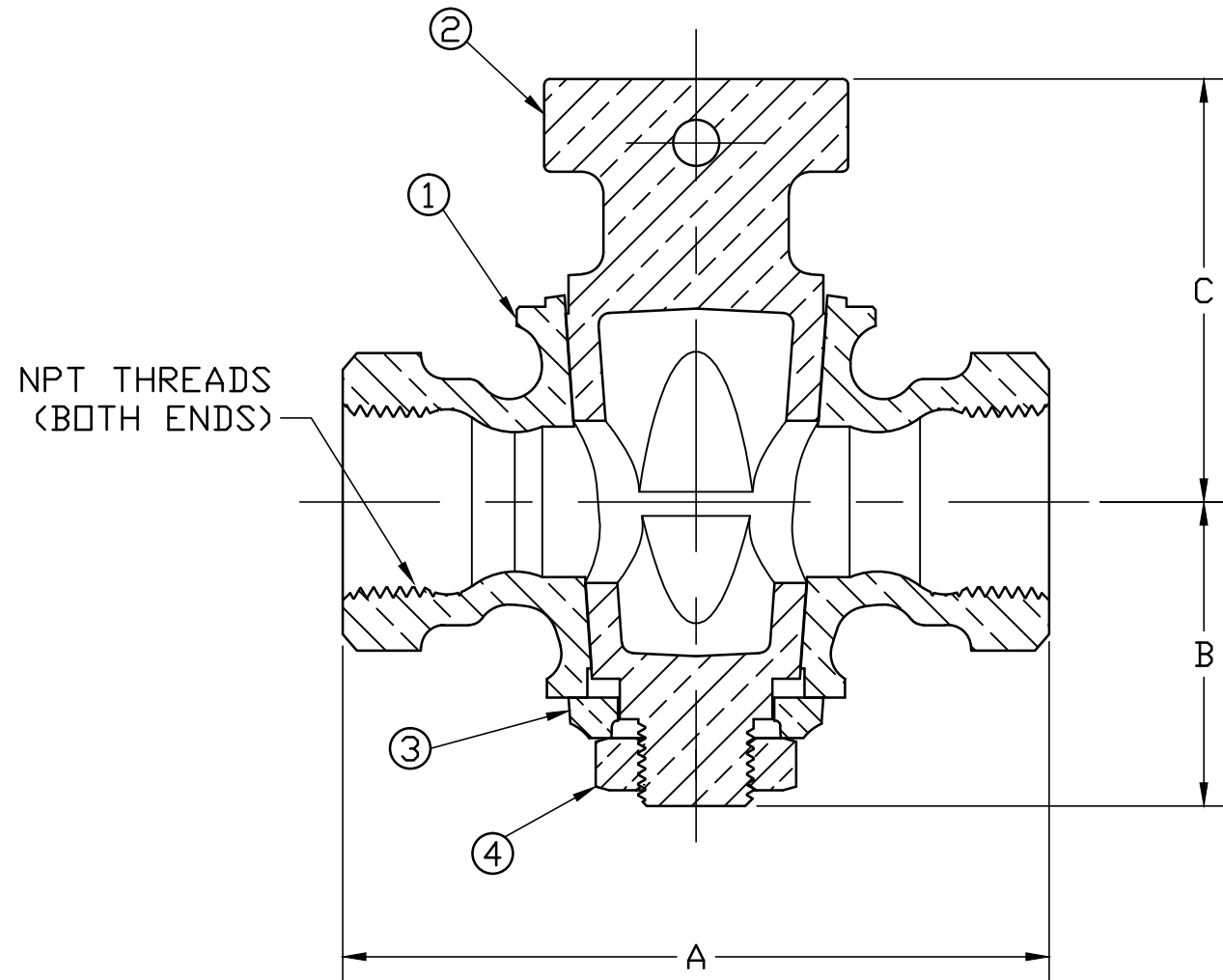


No.	DESCRIPTION	MATERIAL
1	BODY	CAST LOW LEAD BRASS ALLOY
2	KEY	CAST LOW LEAD BRASS ALLOY
3	KEY WASHER	CAST BRASS ASTM B62 ALLOY C83600
4	KEY NUT	CAST BRASS ASTM B62 ALLOY C83600



SIZE	A	B	C
3/4"	3.81	1.64	2.28

ALL WETTED PARTS ARE LOW LEAD BRASS ALLOY

FILEPATH: PROD-ENG\JAMESJONES\ASYSUBMITTALS\E200

						DRFTR	RWB	4/21/16	<b>JONES</b>	THIRD ANGLE PROJECTION 		
						CHKR						
						ENGR						
						MGR						
							BY	DATE	UNLESS OTHERWISE NOTED	REF. No.		
									SURFACE PREPARATION:	SCALE		
									BREAK CORNER(S) ---- .000	FULL		
									SURFACE FINISH -- XX RMS			
									TOLERANCE(S):			
									LINEAR ----- ± .000			
									ANGULAR ----- ± 0°00'			
						STK No:						
						MAT'L:						
						DESCR.	LLB GROUND KEY VALVE (FIP x FIP)					
						REV	ECR	DESCRIPTION	DATE	BY	CHKR	DWG NUMBER
						PER EST NO: DXXXX EST FIN WT = 0.0000 lbs					E200	

DWG NUMBER  
E200  
JJ-MRKTNG

TITLE TO AND OWNERSHIP OF THIS ENGINEERING DATA REMAINS IN Mueller Co. NO USE IS TO BE MADE OF THIS DATA EXCEPT AS SPECIFICALLY AUTHORIZED BY Mueller Co. ASSENT ON THE PART OF THE RECIPIENT TO THESE CONDITIONS IS PRESUMED