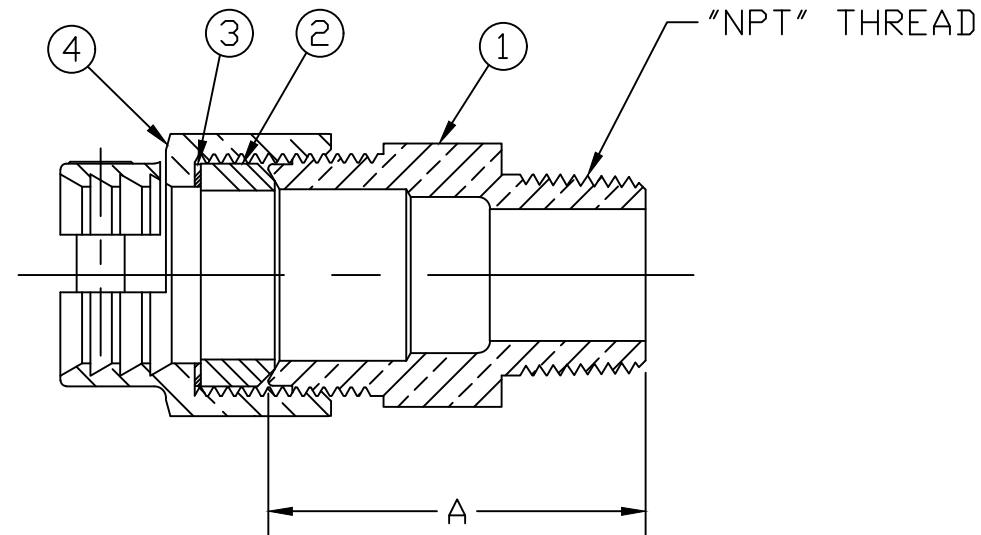


No.	DESCRIPTION	MATERIAL
1	SPUD	CAST NO LEAD BRASS ALLOY
2	PJ GASKET	EPDM ASTM D2000
3	PJ WASHER	POLYPROPYLENE
4	CLPG NUT SUB	CAST BRASS ASTM B62 ALLOY C83600



SIZE	A	NPT SIZE
3/4	1-31/32"	3/4"
1x3/4	1-63/64"	3/4"
1	2-5/32"	1"
1-1/2	2-3/8"	1-1/2"
2	2-5/8"	2"

ALL WETTED PARTS ARE NO LEAD BRASS ALLOY

FILEPATH: PROD-ENG\JAMES JONES\SUBMITTALS\E2605

						DRFTR	RWB	6/9/08	JONES		
						CHKR					
						ENGR					
						MGR					
									UNLESS OTHERWISE NOTED	THIRD ANGLE PROJECTION	
									SURFACE PREPARATION:		
									BREAK CORNER(S) ----- .000		
									SURFACE FINISH -- XX RMS	REF. No.	SCALE
									TOLERANCE(S):		
									LINEAR ----- ± .000		
									ANGULAR ----- ± 0°00'		
									STK No:		
									MAT'L:		
									DESCR.		
									STRAIGHT COUPLING NLB SERVICE FITTING	DWG NUMBER	
									(PJ CTS x MIP)	E2605	
REV	ECR	DESCRIPTION	DATE	BY	CHKR						

TITLE TO AND OWNERSHIP OF THIS ENGINEERING DATA REMAINS IN Mueller Co. NO USE IS TO BE MADE OF THIS DATA EXCEPT AS SPECIFICALLY AUTHORIZED BY Mueller Co. ASSENT ON THE PART OF THE RECIPIENT TO THESE CONDITIONS IS PRESUMED

DWG NUMBER
E2605
JJ-MRKTG