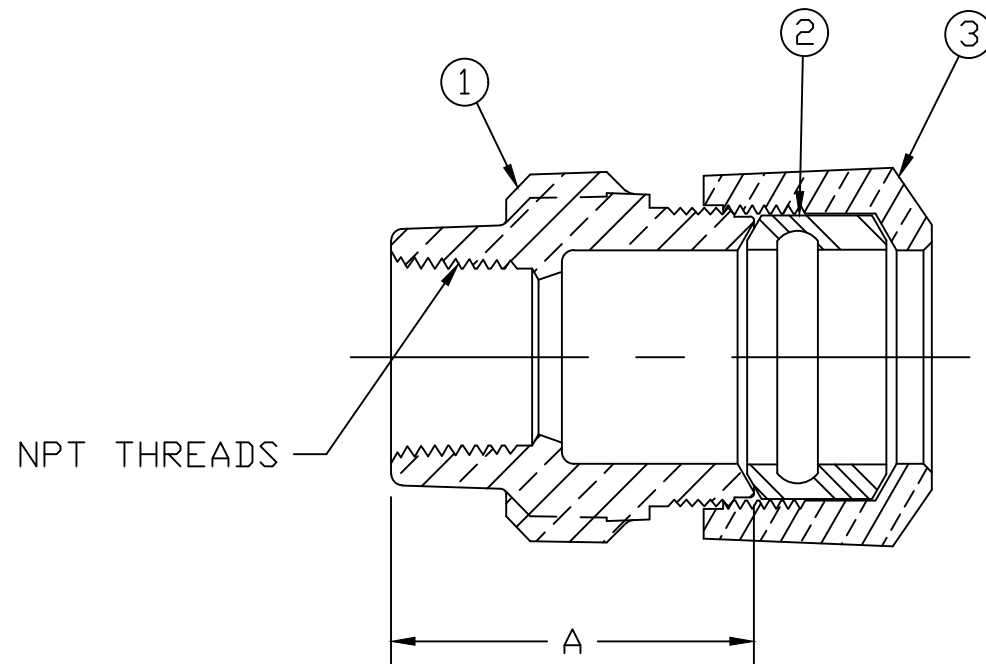


No.	DESCRIPTION	MATERIAL
1	SPUD	CAST NO LEAD BRASS ALLOY
2	IPS PE GSKT	ASTM D2000(SBR)&410 STAINLESS STEEL
3	CONNX NUT	CAST BRASS ASTM B62 ALLOY C83600



SIZE	A
3/4"	1.89
1"	2.19

ALL WETTED PARTS ARE NO LEAD BRASS ALLOY

FILEPATH: PROD-ENG\JAMESJONES\SUBMITTALS\E2608SGP

						DRFTR	RWB	1/18/13	JONES					
						CHKR								
						ENGR								
						MGR								
									UNLESS OTHERWISE NOTED	THIRD ANGLE PROJECTION				
									SURFACE PREPARATION:					
									BREAK CORNER(S) ---- .000					
									SURFACE FINISH -- XX RMS	REF. No.	SCALE			
									TOLERANCE(S):		NONE			
									LINEAR ----- ± .000					
									ANGULAR ----- ± 0°00'					
									STK No:					
									MAT'L:					
									DESCR.	STRAIGHT NLB SERVICE FITTING (FIP x SG PIPE)	DWG NUMBER E2608SGP			
									REV	ECR	DESCRIPTION	DATE	BY	CHKR
									PER EST NO: DXXXX EST FIN WT = 0.0000 lbs					

DWG NUMBER
E2608SGP
JJ-MRKTNG

TITLE TO AND OWNERSHIP OF THIS ENGINEERING DATA REMAINS IN Mueller Co. NO USE IS TO BE MADE OF THIS DATA EXCEPT AS SPECIFICALLY AUTHORIZED BY Mueller Co. ASSENT ON THE PART OF THE RECIPIENT TO THESE CONDITIONS IS PRESUMED