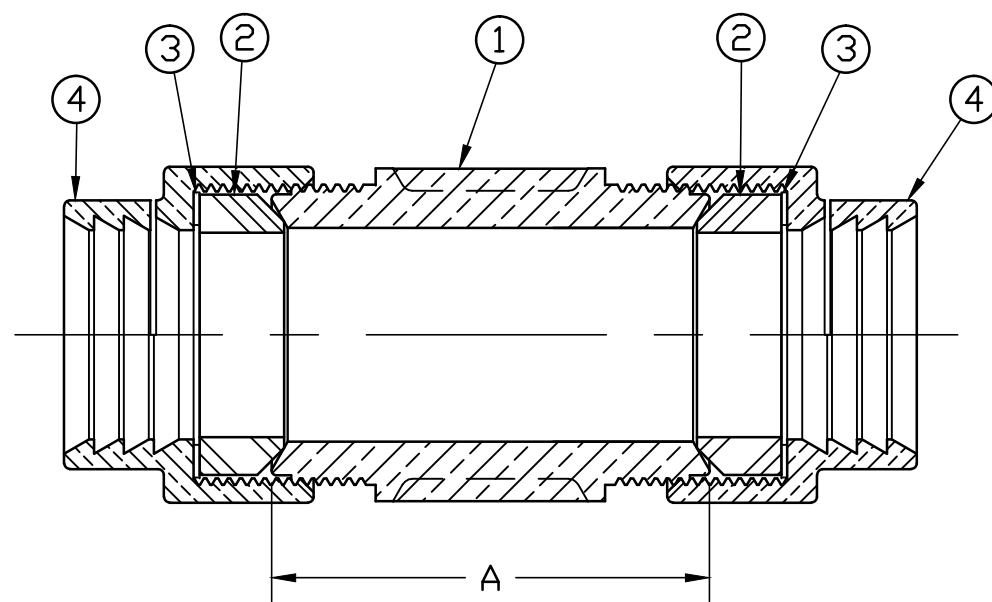


No.	DESCRIPTION	MATERIAL
1	SPUD	CAST LOW LEAD BRASS ALLOY
2	GASKET	NITRILE ASTM D2000
3	WASHER	POLYPROPYLENE
4	COUPLING NUT	CAST BRASS ASTM B62 ALLOY C83600



SIZE	A
3/4	2.28
1	2.64
1 1/2	3.35
2	2.95

ALL WETTED PARTS ARE LOW LEAD BRASS ALLOY

FILEPATH: PROD-ENG\JONES\ASYSUBMITTALS\E2610

						DRFTR	JGarvin	2/3/10	<b>JONES</b>
						CHKR			
						ENGR			
						MGR			
									UNLESS OTHERWISE NOTED
									SURFACE PREPARATION:
									BREAK CORNER(S) ---- .000
									SURFACE FINISH -- XX RMS
									TOLERANCE(S):
									LINEAR ----- ± .000
									ANGULAR ----- ± 0°00'
									THIRD ANGLE PROJECTION
									REF. No.
									SCALE
									NONE
						STK No:			
						MAT'L:			
						DESCR.	STRAIGHT SERVICE FITTING LLB (IPS PJ x IPS PJ)		DWG NUMBER
									E2610
REV	ECR	DESCRIPTION	DATE	BY	CHKR				

DWG NUMBER  
E2610  
JJ-MRKTNG

TITLE TO AND OWNERSHIP OF THIS ENGINEERING DATA REMAINS IN Mueller Co. NO USE IS TO BE MADE OF THIS DATA EXCEPT AS SPECIFICALLY AUTHORIZED BY Mueller Co. ASSENT ON THE PART OF THE RECIPIENT TO THESE CONDITIONS IS PRESUMED