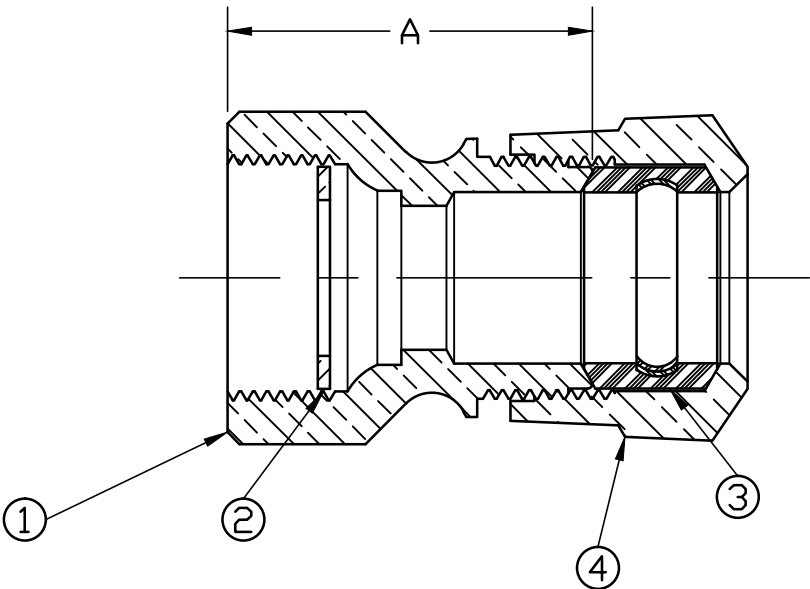


No.	DESCRIPTION	MATERIAL
1	SPUD	CAST LOW LEAD BRASS ALLOY
2	COPPER GASKET	COPPER ASTM B152 ALLOY C11000
3	CTS GSKT SUB	SBR ASTM D2000 -GSKT 410ss -BAND
4	CONNX NUT	CAST BRASS ASTM B62 ALLOY C83600



SIZE	A
3/4	1-29/32"
3/4x1	2-21/64"
1	2-33/64"

ALL WETTED PARTS ARE LOW LEAD BRASS ALLOY

FILEPATH: PROD-ENG\JJ\SUBMITTALS\E2623SG

						DRFTR	JGarvin	3/11/10	JONES	UNLESS OTHERWISE NOTED THIRD ANGLE PROJECTION 	
						CHKR					
						ENGR					
						MGR					
							BY	DATE	SURFACE PREPARATION: BREAK CORNER(S) ---- .000 SURFACE FINISH -- XX RMS TOLERANCE(S): LINEAR ----- ± .000 ANGULAR ----- ± 0°00'	REF. No.	SCALE
											FULL
							STK No:		MAT'L:	DESCR.	DWG NUMBER
									LLB CORPORATION STOP COUPLING ("CS" COUPLING x 110CTS)	E2623SG	
REV	ECR	DESCRIPTION	DATE	BY	CHKR						

TITLE TO AND OWNERSHIP OF THIS ENGINEERING DATA REMAINS IN Mueller Co. NO USE IS TO BE MADE OF THIS DATA EXCEPT AS SPECIFICALLY AUTHORIZED BY Mueller Co. ASSENT ON THE PART OF THE RECIPIENT TO THESE CONDITIONS IS PRESUMED

DWG NUMBER
E2623SG
JJ-MRKTG