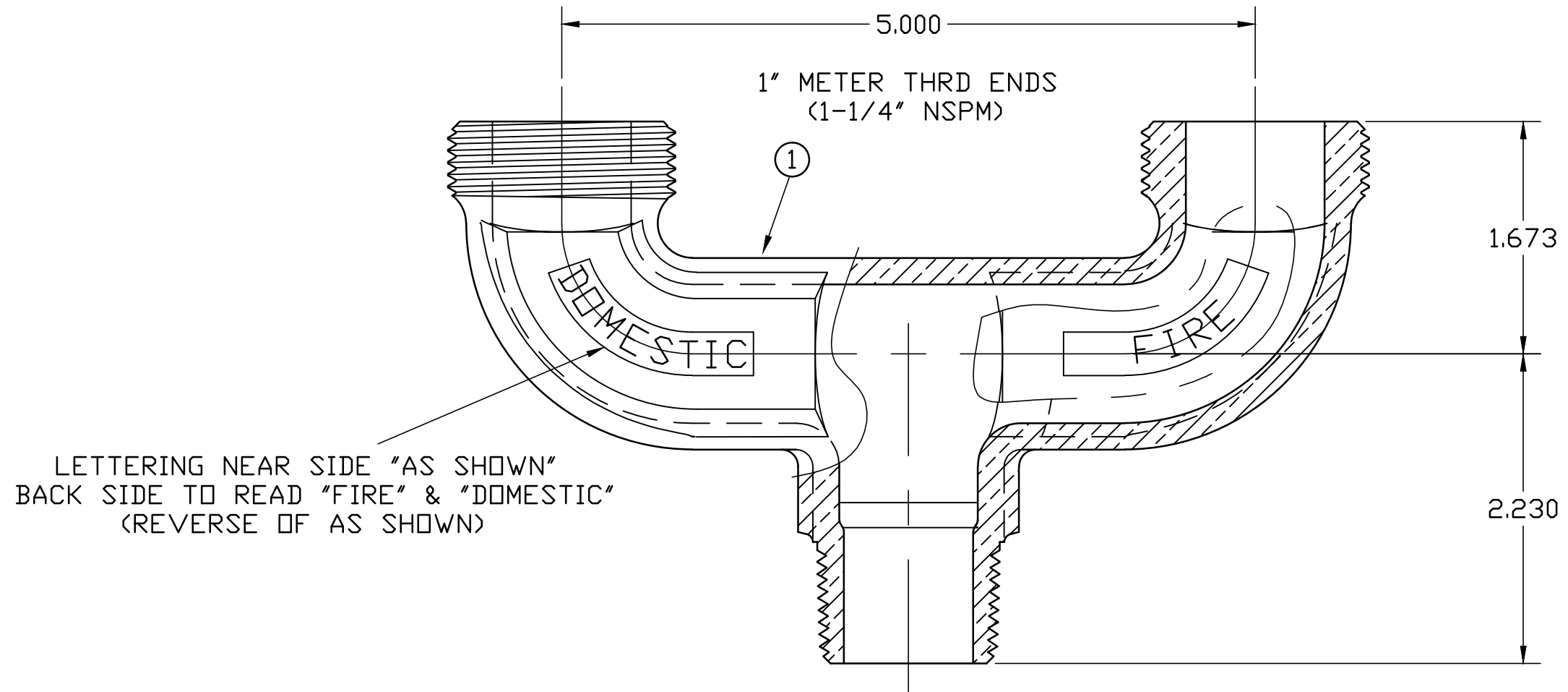


No.	DESCRIPTION	MATERIAL
1	U-BRANCH	CAST LOW LEAD BRASS ALLOY



LETTERING NEAR SIDE "AS SHOWN"  
 BACK SIDE TO READ "FIRE" & "DOMESTIC"  
 (REVERSE OF AS SHOWN)

ALL WETTED PARTS ARE LOW LEAD BRASS ALLOY

FILEPATH: PROD-ENG\JAMESJONES\SUBMITTALS\E2633

						DRFTR	RWB	2/23/15	<b>JONES</b>		
						CHKR					THIRD ANGLE PROJECTION 
						ENGR					
						MGR					REF. No.
								BY	DATE		
								STK No:			
								MAT'L:			
								DESCR.	1" MIP x 1" MTR THRD LLB U-BRANCH		
									DWG NUMBER	E2633	
REV	ECR	DESCRIPTION	DATE	BY	CHKR						

TITLE TO AND OWNERSHIP OF THIS ENGINEERING  
 DATA REMAINS IN Mueller Co. NO USE IS TO BE  
 MADE OF THIS DATA EXCEPT AS SPECIFICALLY  
 AUTHORIZED BY Mueller Co. ASSENT ON THE PART  
 OF THE RECIPIENT TO THESE CONDITIONS IS PRESUMED

DWG NUMBER  
**E2633**  
 442-MRKTG