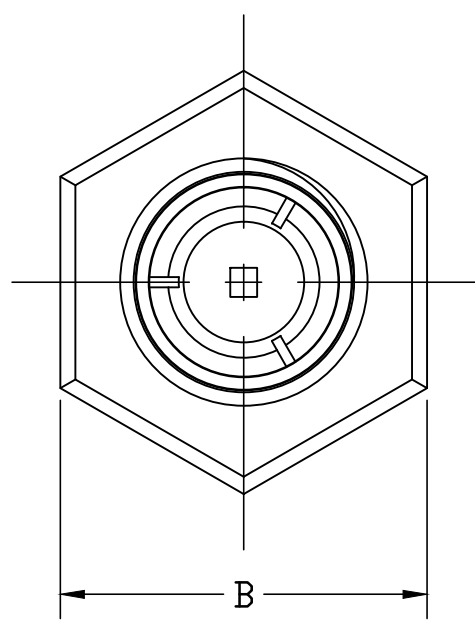
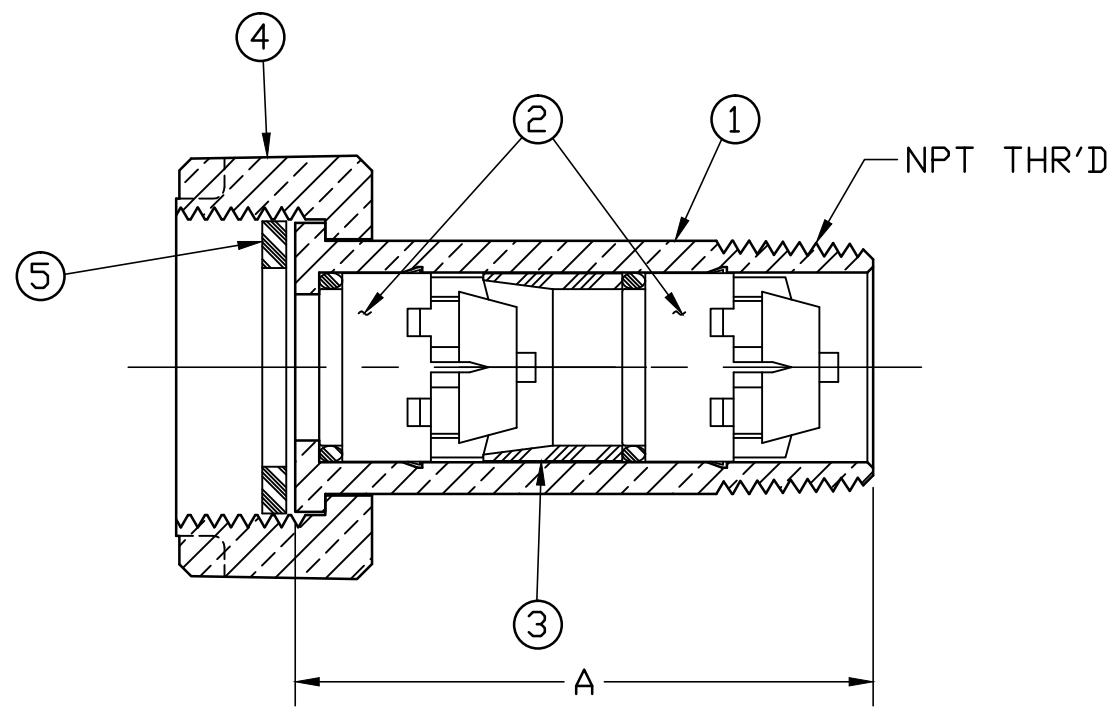


SIZE	A	B	NPT SIZE
3/4	2.500	1.56	3/4
1	3.000	1.88	1

No.	DESCRIPTION	MATERIAL
1	TAILPIECE	LOW LEAD BRASS ALLOY
2	CHECK W/ O-RING	CELCON M90/EPDM D2000
3	SPACER	CELCON M90
4	METER NUT	CAST BRASS ASTM B62 ALLLOY C83600
5	GASKET	NITRILE D2000



ALL WETTED PARTS ARE LOW LEAD BRASS ALLOY

FILEPATH: PROD-ENG\JJ\SUBMITTALS\E5930

						DRFTR	RWB	2/17/10	JONES	THIRD ANGLE PROJECTION
						CHKR				
						ENGR				
						MGR				
							BY	DATE	UNLESS OTHERWISE NOTED	REF. No. SCALE FULL
									SURFACE PREPARATION:	
									BREAK CORNER(S) ----- .000 SURFACE FINISH -- XX RMS TOLERANCE(S): LINEAR ----- ± .000 ANGULAR ----- ± 0°00'	
									STK No:	
									MAT'L:	
									DESCR.	DWG NUMBER
									5/8" x 3/4" x 3/4" & 1" LLB INLINE DUAL CHECK VALVE ASSEMBLY	E5930
									PER EST NO: DXXXX	EST FIN WT = 0.000 lbs

TITLE TO AND OWNERSHIP OF THIS ENGINEERING DATA REMAINS IN Mueller Co. NO USE IS TO BE MADE OF THIS DATA EXCEPT AS SPECIFICALLY AUTHORIZED BY Mueller Co. ASSENT ON THE PART OF THE RECIPIENT TO THESE CONDITIONS IS PRESUMED

DWG NUMBER
E5930
44-MRKTG