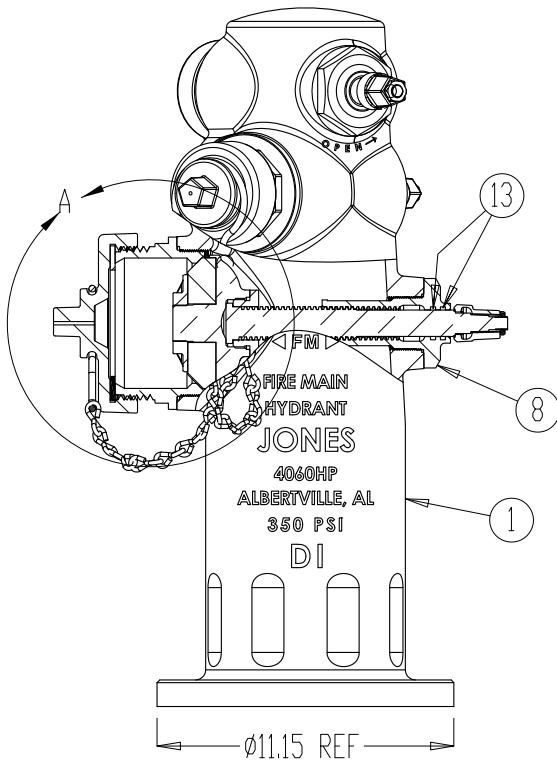


DETAIL A
SCALE 1 : 4



HYDRANT DESCRIPTION		
PART #	NOZZLE CONFIGURATON	FLANGE PATTERN
J4060AR	4½" X 2½" X 2½"	6 - Ø.75" HOLES, 9.38" DBC
J4060BR	4" X 2½" X 2½"	8 - Ø.88" HOLES, 9.5" DBC
J4060CR	4" X 2½" X 2½"	6 - Ø.88" HOLES, 9.5" DBC
J4060DR	4" X 2½" X 2½"	6 - Ø.75" HOLES, 9.38" DBC
J4060ER	4½" X 2½" X 2½"	8 - Ø.88" HOLES, 9.5" DBC



350 PSI RATING

APPROVED



350 PSI RATING

PARTS LIST:

ID	PART NAME	MATERIAL
1	HYDRANT BODY	DUCTILE IRON ASTM A536 GR. 65-45-12
2	NOZZLE INSERTS	BRASS ASTM B584 ALLOY C89833
3	HOSE CAPS	CAST IRON ASTM A126 CLASS B
4	HYDRANT STEM	SILICON BRONZE ASTM B584 C87600
5	STEM LOCKNUT	BRASS ASTM B584 ALLOY C89833
6	BEVELED HYDRANT DISC	BUNA-N
7	HYDRANT DISC LOCKNUT	BRASS ASTM B584 ALLOY C89833
8	STEM INSERT	BRASS ASTM B584 ALLOY C89833
9	PENT NUT	BRASS ASTM B584 ALLOY C87600
10	PENT NUT RETAINER	COPPER ALLOY UNS C83600
11	HYDRANT DISC HOLDER	BRASS ASTM B584 ALLOY C89836
12	NOZZLE GASKET	NEOPRENE
13	O-RINGS	BUNA-N
14	CHAIN	ZINC COATED STEEL

PRODUCT FEATURES:

	FEATURE DESCRIPTION
1	MEETS OR EXCEEDS ANSI/AWWA C503
2	INDIVIDUAL STEM OPERATION
3	LIMITED NUMBER OF INTERNAL PARTS
4	NOZZLE THREADS CONFORM TO NFPA 1963, NH/NST
5	REMOVABLE NOZZLE DESIGN
6	AVAILABLE IN A VARIETY OF BOLT HOLE PATTERNS
7	LOW ZINC SILICON BRONZE STEMS
8	HEAVY DUTY DISC HOLDER
9	PRODUCT RATED UP TO 350 PSI; HYDROSTATICALLY TESTED AT 700 PSI
10	O-RING CONSTRUCTION IN STEM INSERT
11	EPOXY COATED INTERIOR MEETS AWWA C550 AND NSF 61
12	10 YEAR LIMITED WARRANTY
13	5" STORZ PUMPER NOZZLE AVAILABLE
14	

Approvals:

Date: