

Bronze Wet Barrel Fire Hydrants

With over 100 years of experience on the west coast – the heart of the wet barrel market – James Jones Company, LLC is the innovator in the bronze wet barrel hydrant industry. With our product quality, design engineering and level of customer service, James Jones Company, LLC is renowned as the manufacturer of the world’s finest bronze wet barrel fire hydrants. Ideal for moderate climates, our wet barrel hydrants are reliable, easy to use, aesthetically pleasing and rated for 150 psig.

Features of Jones[®] wet barrel fire hydrants:

- Meet requirements of AWWA C503.
- All-bronze hydrant heads and spools cast as separate parts.
- O-ring gasket provides a positive seal at joint of spool and hydrant head.
- Each nozzle operates independently.
- Limited number of internal parts.
- Quick activation of stem movement.
- Heavy-duty disc holder rotates independently on stem to avoid valve wear, ease operation.
- Low-zinc silicon bronze stem.
- Two O-ring seals on stem insert.
- Hydrants available with field-replaceable nozzles.
- Removable outlet threads for easy access to disc holder and stem.
- Bronze and Iron hydrants have interchangeable parts.
- Clean aesthetic lines.

J-3700 Series Hydrants

The number of options and combinations provide just about any configuration of bronze wet barrel fire hydrant needed.

- Heads are available separately, or in combination with a choice of fluted (6 hole), or straight (8 hole) spools bolt pattern.
- Two-way and three-way hydrants allow many different combinations of 2-1/2” firehose and 4” or 4-1/2” steamer nozzles.
- Domed, threaded tops available.
- Plastic or bronze nozzle caps.
- Quick activation of stem movement.
- Hydrostatically tested at 400 psig.
- Non-kinking chains.



J-3700/J-3740



J-3708



J-3710

Description	Sizes
J-3700 – Hydrant Complete – Fluted Spool	4” x 2-1/2”
J-3701 PL (plastic cap) – Hydrant Head only – 6” thread inlet	4” x 2-1/2”
J-3708 PL (plastic cap) – Hydrant Head only with 2-1/2” dome cap	4” x 2-1/2”
J-3710 PL (plastic cap) – Hydrant Complete – Straight Spool	4” x 2-1/2”
J-3711 R (removeable nozzle) PL (plastic cap) – Hydrant Complete with dome cap – Fluted Spool	4” x 2-1/2”
J-3740 PL (plastic cap) – Hydrant Complete – Fluted Spool	4-1/2” x 2-1/2”

For more information on our bronze wet barrel hydrants, please call 800.523.8618.

SECTION 8 – Fire Protection

JONES[®]

a MUELLER brand



J-3765/J-3760



J-3775/J-3770

Description	Sizes
J-3760 PL (plastic cap) – Hydrant Complete – Fluted Spool	4-1/2" x 2-1/2" x 2-1/2"
J-3765 PL (plastic cap) – Hydrant Complete – Fluted Spool	4" x 2-1/2" x 2-1/2"
J-3770 PL (plastic cap) – Hydrant Complete – Fluted Spool	4-1/2" x 4-1/2" x 2-1/2"
J-3775 PL (plastic cap) – Hydrant Complete – Straight Spool	4" x 4" x 2-1/2"
J-3776 R (removeable nozzle) PL (plastic cap) – Hydrant Complete with dome cap – Fluted Spool	4" x 4" x 2-1/2"

For more information on our bronze wet barrel hydrants, please call 800.523.8618.

Triton™ Ductile Iron Wet Barrel Fire Hydrants

With James Jones Company, LLC, all the proven internal performance features you have come to know in our bronze hydrant are transferred to a ductile iron body through the use of interchangeable parts, reducing the need for large parts inventories. Our dependable residential and commercial wet barrel fire hydrants offer excellent flow characteristics and serviceability. Triton hydrants are manufactured by Mueller Co. in Albertville, AL. In addition these hydrants are UL Listed and FM Approved*. Triton hydrants feature an operating pressure of 250 psig with optional upgrade to 350 psig (HP model). Hydrostatically tested at 500 psig (HP model is tested at 700 psig).



STANDARD TOP STYLE



DOME TOP STYLE
(2 1/2" Dome Top for auxiliary valves, metered outlets, monitoring devices, etc.)



MONITOR STYLE
(Monitor Top for targeted nozzles or hydrant stacking)

See chart for multiple configuration availability and pressure ratings.

TRITON IRON HYDRANTS									
Models						Pumper Outlets	Hose Outlet(s)	Mounting Pattern	Listings
Std.		Dome Top		Monitor					
250 psi	350 psi	250 psi	350 psi	250 psi	350 psi				
		J4038 AR	J4038HP AR			4-1/2" x 4-1/2"		6-hole 9.38Dbc .75 Dia	UL/AWWA
		J4038 BR	J4048HP BR			4" x 4"		8-hole 9.5Dbc .88 Dia	
		J4038 CR	J4038HP CR			4" x 4"		6-hole 9.5Dbc .88 Dia	
		J4038 DR	J4038HP DR			4" x 4"		6-hole 9.38Dbc .75 Dia	
		J4038 ER	J4038HP ER			4-1/2" x 4-1/2"		8-hole 9.5Dbc .88 Dia	
J4040 AR	J4040HP AR	J4048 AR	J4048HP AR			4-1/2"	2-1/2"	6-hole 9.38Dbc .75 Dia	UL/FM/AWWA
J4040 BR	J4040HP BR	J4048 BR	J4048HP BR			4"	2-1/2"	8-hole 9.5Dbc .88 Dia	
J4040 CR	J4040HP CR	J4048 CR	J4048HP CR			4"	2-1/2"	6-hole 9.5Dbc .88 Dia	
J4040 DR	J4040HP DR	J4048 DR	J4048HP DR			4"	2-1/2"	6-hole 9.38Dbc .75 Dia	
J4040 ER	J4040HP ER	J4048 ER	J4048HP ER			4-1/2"	2-1/2"	8-hole 9.5Dbc .88 Dia	
J4060 AR	J4060HP AR			J4060M AR	J4060MHP AR	4-1/2"	2-1/2" x 2-1/2"	6-hole 9.38Dbc .75 Dia	UL/FM/AWWA
J4060 BR	J4060HP BR			J4060M BR	J4060MHP BR	4"	2-1/2" x 2-1/2"	8-hole 9.5Dbc .88 Dia	
J4060 CR	J4060HP CR			J4060M CR	J4060MHP CR	4"	2-1/2" x 2-1/2"	6-hole 9.5Dbc .88 Dia	
J4060 DR	J4060HP DR			J4060M DR	J4060MHP DR	4"	2-1/2" x 2-1/2"	6-hole 9.38Dbc .75 Dia	
J4060 ER	J4060HP ER			J4060M ER	J4060MHP ER	4-1/2"	2-1/2" x 2-1/2"	8-hole 9.5Dbc .88 Dia	
J4065 AR		J4065 AR				4-1/2" x 4-1/2"	2-1/2"	6-hole 9.38Dbc .75 Dia	AWWA
J4065 BR		J4065 BR				4" x 4"	2-1/2"	8-hole 9.5Dbc .88 Dia	
J4065 CR		J4065 CR				4" x 4"	2-1/2"	6-hole 9.5Dbc .88 Dia	
J4065 DR		J4065 DR				4" x 4"	2-1/2"	6-hole 9.38Dbc .75 Dia	

*J4038/J4038HP are UL Listed/AWWA compliant and the J4065 is AWWA compliant.

For more information on our iron wet barrel hydrants, please call 800.523.8618.

Jones® Hydrant Valve Options

Auxillary valve options

- Fire plug valves
- Angle fire plug valves
- High-pressure, angle fire plug valves
- Extension nipple



J-340



J-342



J-344



J-344HP

Description	Size
J-340 - Inlet: M.I.P. Outlet: F.I.P. Pentagon nut.	2-1/2"
J-342 - Inlet: F.I.P. Outlet: M.I.P. Hose thread. with cap and chain.	2" x 2-1/2"
J-344 - Inlet: F.I.P. Outlet: M.I.P. Hose thread. with cap and chain.	2-1/2" x 2-1/2" 3" x 2-1/2"
J-344HP - Inlet: F.I.P. Outlet: M.I.P. Hose thread high pressure with tapered seat, cap and chain.	4" x 2-1/2"

J-344 - 3" x 2-1/2" is the only plug valve assembled with brass cap, others above have the option of a brass or plastic cap. J-342, J-344, and J-344HP have a handwheel option.



J-345



J-356



J-383



J-380

Description	Size
J-345 - Inlet: F.I.P. Outlet: National Standard Hose thread with cap, chain and pentagon head.	2" x 1-1/2"
J-355 - Inlet: F.I.P. Outlet: Male hose thread with cap and chain.	2-1/2"
J-356 - Inlet: Female Hose thread Outlet: Male Hose thread with cap and chain.	2-1/2"
J-380 - Inlet: F.I.P. Outlet: F.I.P. less cap and chain.	1-1/2" 2"
J-383 - Inlet: F.I.P. Outlet: National Standard Hose thread with cap and chain.	1-1/2" 2"

Hydrostatically tested at 300 psi; 150psi working pressure.
J-355 and J-356 have the option of pent nut or hand wheel.

Extension Nipple

M.I.P. inlet x Hose thread outlet



J-341

Description	Size
J-341 - Used with J-340 for larger hydrant connection. 6" long.	2-1/2" x 6"

Jones[®] Tell-Tale Break-off Check Valve



J-6000

The Tell-Tale Break-off Check Valve is a unique wet barrel hydrant innovation. When a wet barrel hydrant is hit and broken off, the Tell-Tale check valve shuts, preventing the loss of water and water pressure. In addition, it provides a visible “tell-tale” low-volume stream of water to indicate that the hydrant has been damaged, yet does not present a serious loss of water or cause damage.

Features of Jones Tell-Tale Break-Off Check Valve:

- Minimizes water hammer.
- Smooth flow characteristics minimize pressure loss.
- Ductile Iron and Stainless Steel construction.
- Easy-to-reset design (no springs) resets with gravity.
- Easy to extend for grading adjustments.
- Adapts to all current and past Jones hydrant designs
- Iron, bronze and stainless steel construction.

How the Jones Tell-Tale Break-Off Check Valve Works:

Diagram 1

When the hydrant is hit, the safety flange breaks, releasing hydrant from check valve.



Diagram 2

Hydrant and adapter plate are released from lower barrel, and check valve begins to close.



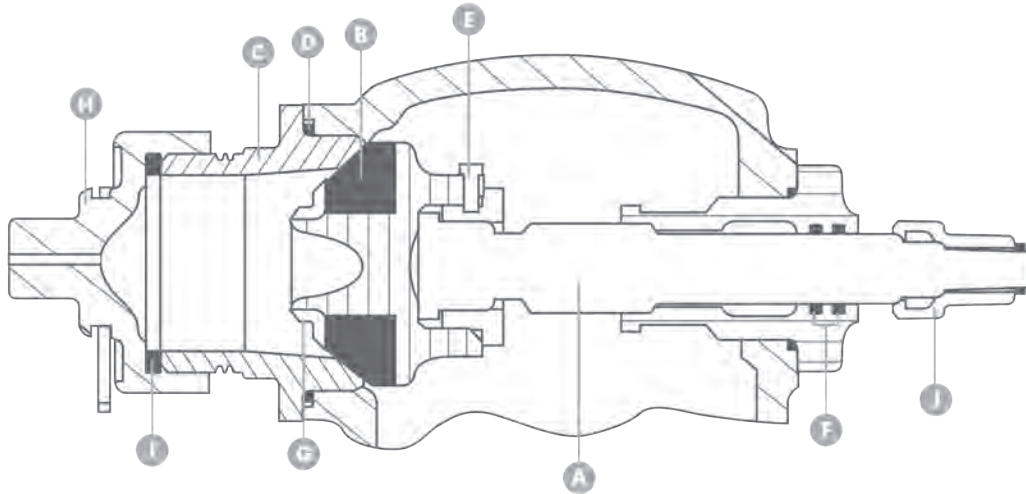
Diagram 3

Valve shuts and, working with water pressure, stays closed. “Through-hole” in operating rod minimizes water hammer while providing a visual notification of damage.



Jones[®] Fire Hydrant Valving

In wet barrel hydrants, valving makes the big difference in quality. Jones[®] hydrants are the standard of the industry.



A - Heavy-duty silicon bronze blow-out proof stem provides long life and corrosion resistance. All stems are polished to provide smooth operation.

B - One of the industry's largest volume rubber seats and extra-wide contact area provide long-term service, even after minor damage from debris.

C - Models with removeable bronze nozzles, makes servicing quick and easy.

D - O-ring design assures seal without leakage and easy installation.

E - Disc holder assembly has a stainless steel set screw to prevent separation from stem. The rubber seat is permanently pinned in place for a tamper proof assembly.

F - Dual Buna-N O-rings provide both smooth operation and leak-free stem seal.

G - Disc retaining nut is pinned for tamper resistant security

H - Caps are available in plastic, bronze or iron with 1-1/8", 1-1/2" or 1-3/4" operating nuts. All caps are drilled to prevent water pressure build-up.

I - Rubber gasket prevents caps from "seizing" to the nozzle.



Storz Pumper Connection

Used to quickly connect to Jones wet barrel hydrants.

Description	Size
Storz pumper connection	5"

NOTE: Available on Bronze hydrants with removeable nozzles and all Ductile Iron hydrants.

Fire Hydrant Caps

Plastic hose caps with drilled hole

- Tapered
- Tapered with chain ring
- Tapered with chain ring and chain



J-668



J-669

Description	Size
J-668 - Hose Cap w/ Chain Ring, Tapered	2-1/2"
J-668 - Hose Cap w/ Chain Ring - Straight and Tapered	4"
J-668 - Hose Cap w/ Chain Ring, Tapered	4-1/2"

Description	Size
J-669 - Hose Cap w/ Chain Ring and Chain - Tapered	2-1/2"
J-669 - Hose Cap w/ Chain Ring and Chain - Straight	4"
J-669 - Hose Cap w/ Chain Ring and Chain - Tapered	4"
J-669 - Hose Cap w/ Chain Ring and Chain - Tapered	4-1/2"

Bronze and Cast Iron hose caps with drilled hole

- Tapered
- Tapered with chain ring
- Tapered with chain ring and chain

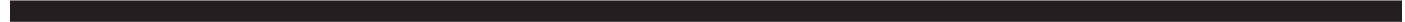


J-554



J-759

Description	Size
J-554 - Bronze Hydrant Cap with chain. Straight	1-1/2"
J-554 - Bronze Hydrant Cap with chain. Tapered	2-1/2"
J-554 - Bronze Hydrant Cap with chain. Straight	2-1/2"
J-554 - Bronze Hydrant Cap with chain. Tapered	4"
J-554 - Bronze Hydrant Cap with chain. Tapered	4-1/2"
J-758 - Cast Iron Cap - less chain	2-1/2"
J-758 - Cast Iron Cap - less chain	4"
J-758 - Cast Iron Cap - less chain	4-1/2"
J-759 - Cast Iron Cap - with chain	2-1/2"
J-759 - Cast Iron Cap - with chain	4"
J-759 - Cast Iron Cap - with chain	4-1/2"



Fire Hydrant Wrenches

Wrench configurations

- One pentagon hole for 1-1/2", 2", & 2-1/2" coupling
- Four pentagon holes for 2-1/2" coupling
- Five pentagon holes for 2-1/2" coupling
- Adjustable, with brass-plated handle



J-573



J-578

Description	Size
J-573 - One-hole wrench for 2-1/2" coupling (37-0012)	2-1/2"
J-578 - Four-hole wrench for 2-1/2" coupling (37-0014) - Hole sizes: 1", 1-1/8", 1-1/2", & 1-3/4"	2-1/2"



J-580



J-583

Description	Size
J-580 - Five-hole wrench for 2-1/2" coupling (37-0015) - Hole sizes: 1", 1-1/4", 1-11/32", 1-3/4", & 1-15/16"	2-1/2"
J-583 - Wrench, adjustable, with brass plated steel handle	Adjustable
J-583 - Wrench with brass plated steel handle. Peened (37-0500)	12"
J-583 - Wrench with brass plated steel handle (37-0502)	12"
J-583 - Wrench with brass plated steel handle (37-0501)	18"